

## ANYTRAY LeanOne Buffer For ANYTRAY LeanOne Denester

CS-19.02

### A flexible solution

The automatic feeding of the ANYTRAY LeanOne Denester from a buffer of full height tray stacks offers less manual intervention and lower operating costs. The system handles trays of many different sizes and shapes. A flexible and lightweight solution that changes your production from manual labour to an automatic solution with a simple automatic machine from

QUPAQ's ANYTRAY product range. The ANYTRAY LeanOne buffer is designed to consistently provide the ANYTRAY LeanOne Denester with trays at a speed of up to 120 trays per minute.

### Main features

- Low denester weight from 9.4 kilo
- Capacity up to 120 trays per/minute (tray depending)
- Max tray size 280 x 360 mm
- One denester for either short or wide edge leading
- Same denester for buffer & rack solutions
- Easily integrated into existing production/packing line
- Includes an intelligent electrical control system
- Hygienic design
- Easy, one-minute changeover from one tray size to another

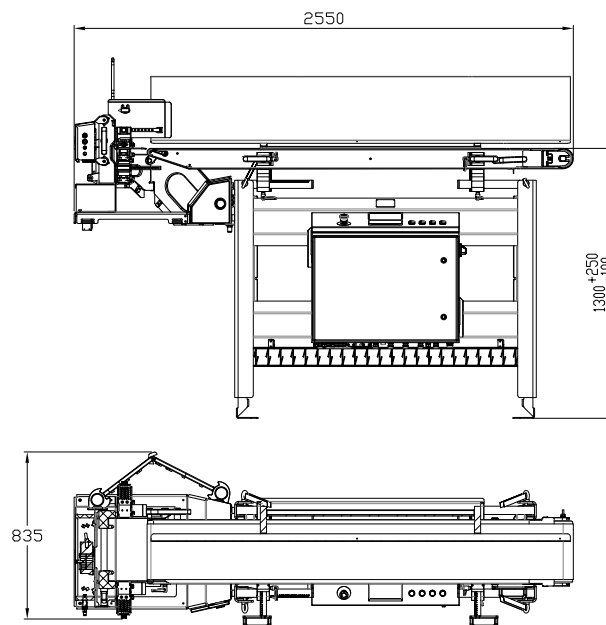
# Technical specifications

## ANYTRAY LeanOne Buffer

CS-19.02

Weight of machine	Approx. 345 kg	Max short circuit current (Ik max)	6 kA
Tray length - max length	360 mm	Air consumption	~ 250 L @ 120 trays/min
Tray width - max width	280 mm	Air pressure	6 Bar
Infeed height	1300 mm +/-250 mm	Operational temperature	32°F-95°F/0°C-60°C
Outfeed height	1300 mm +/-250 mm	Stock temperature	14°F-140°F/-10°C-60°C
Power supply	3 x 400 VAC+PE	Humidity	10%-90%
Power consumption	1.35 A	Noise level	< 80 dB (A)
Frequency	50 Hz		

Recommended circuit breaker. AC/DC Residual current operated circuit breaker, type B, 300mA. Fuse miniature circuit breaker 13A.



Specifications and photos are intended as a guide and can be changed by QUPAQ without notice. We make reservations for misprints and typing errors.