



INTRAY Buffer Basic

Electrical denester. Integrated automatic buffer of trays

The INTRAY Buffer Basic is ideal for steady and continuously moving production lines with speeds up to 70 trays per minute. It is made for denesting on flat belts without flights.

The tray conveyor is built into the Smart Stand - saving a lot of space and provides autonomy and automatic loading of new tray stack to the denester.

User-friendly denester

Buffer Basic is delivered with a custom-made Smart Tool.

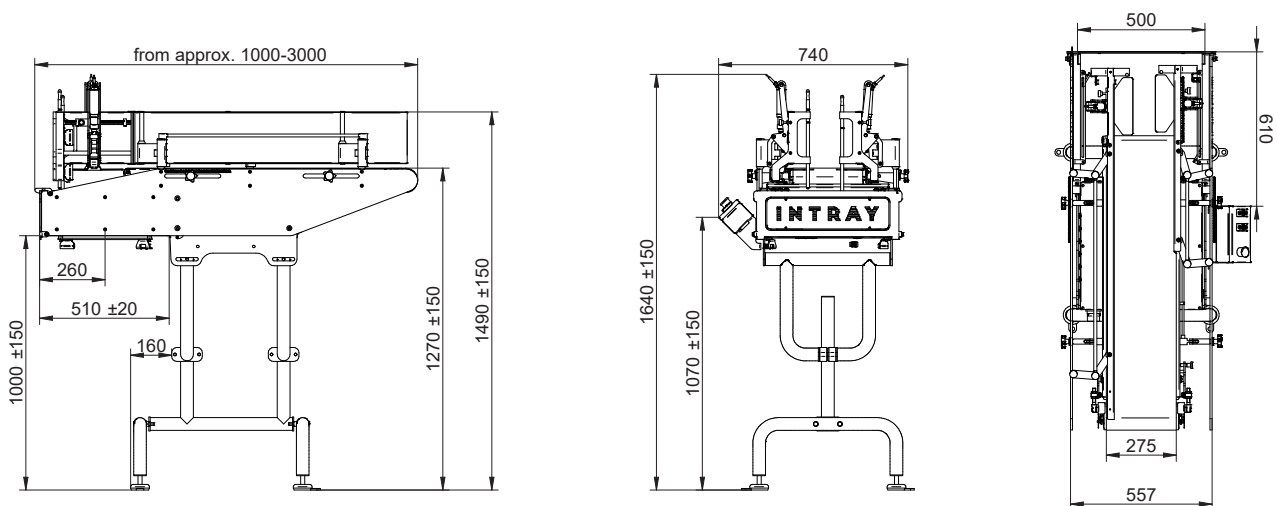
Buffer Basic has an easy to use integrated programmable control unit and can be easily cleaned.

Buffer Basic provides electrical denesting at steady speeds and a highly reliable denesting solution in a small space.

Technical specifications

INTRAY Buffer Basic

Specifications	
Capacity	Up to 70 trays per minute (tray depending)
Highlights	Large buffer of trays
	From 500 -2500 mm buffer
	Hygienic denesting
	Designed for industrial cleaning
	Time saving tray change
	Basic control buttons



Specifications and photos are intended as a guide and can be changed by QUPAQ without notice. We make reservations for misprints and typing errors.