

ANYTRAY Portion-2-Pack 75

With automatic buffer

CS-20.05

The ANYTRAY Portion-2-Pack 75 systems is designed for high volume production of minced products and automatically put into trays.

The ANYTRAY Portion-2-Pack 75 is an automatic tray-filling systems that forwards portions/product from your portioning system, fills the portions/ product into trays, and delivers it to your tray sealer at a speed up to 75 trays per minute.

Main features

- Capacity up to 75 trays per minute (tray depending)
- Easily integrated into existing production/packing lines
- Includes an intelligent electrical control system
- Automatic refilling of trays into the denester
- Few moving parts
- Low maintenance costs
- Hygienic design

- Short return of investment
- Easy, one-minute changeover from one tray size to another

Option

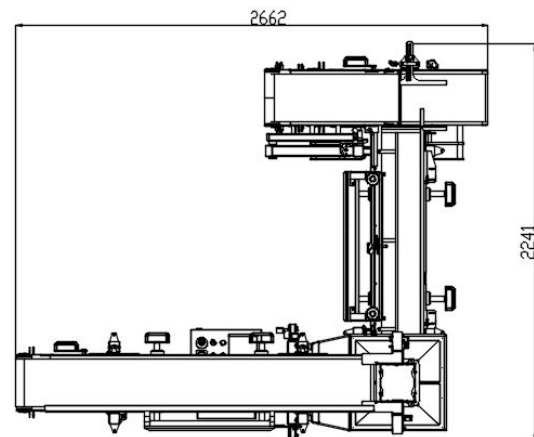
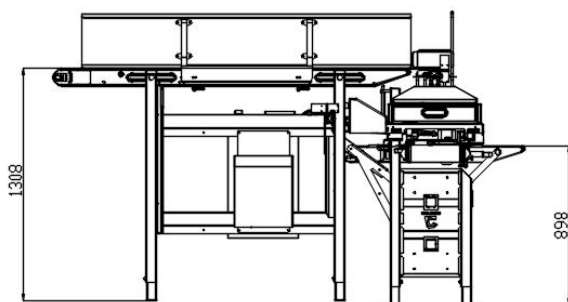
- Operation mode: Manually placing burgers in trays

Technical specifications

ANYTRAY Portion-2-Pack 75

CS-20.05

Weight of machine	Approx. 400 kg	Max short circuit current (Ik max)	6 kA
Tray length - max length	325 mm	Voltage for valves	24 V DC
Tray width - max width	265 mm	Air consumption	300 L (120 trays/min)
Infeed height	1100 mm +/-100 mm	Air pressure	6 Bar
Outfeed height	898 mm +/-100 mm	Operational temperature	32°F-95°F/0°C-60°C
Power supply	3x400 VAC+N+PE	Stock temperature	14°F-140°F/-10°C-60°C
Power consumption	3 A	Humidity	10%-90%
Max fuse	13 A	Noise level	< 80 dB (A)
Frequency	50 Hz	Steel quality	AISI 304



Specifications and photos are intended as a guide and can be changed by QUPAQ without notice. We make reservations for misprints and typing errors.