



INTRAY Smart Stand Basic

100% electrical servo denester

The Smart Stand Basic is the perfect solution for a production line with limited space and a steady flow of trays.

The Smart Stand Basic comes with a custom-made-to-tray Smart Tool. We made everything easy for you. The Smart Tool can be effortlessly removed, and another placed in the INTRAY denester.

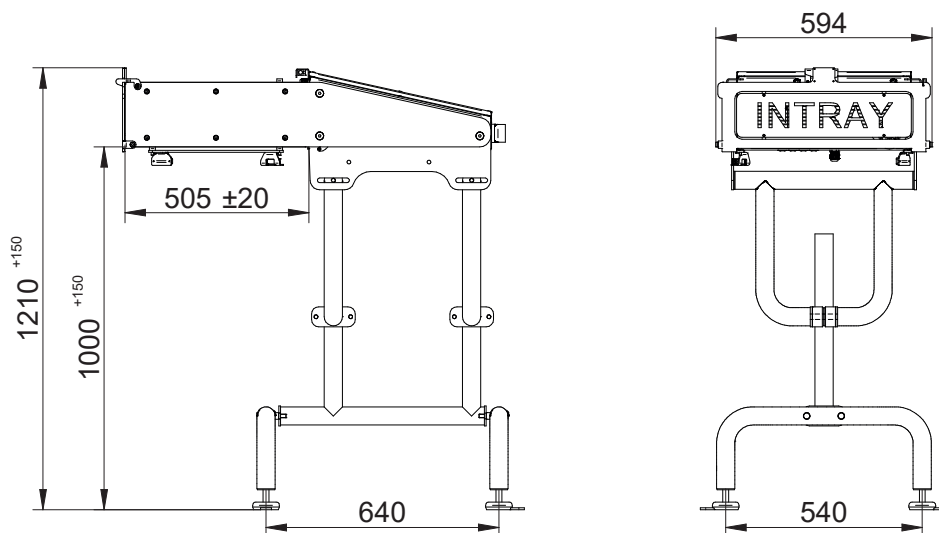
The stand itself is constructed in stainless tubes, making cleaning easy.

With INTRAY Smart Stand Basic you have a denesting solution that will make unreliable manual denesting obsolete.

Technical specifications

INTRAY Smart Stand Basic

Specifications	
Capacity	Up to 70 trays per minute (tray depending)
Highlights	Electrical driven denesting
	Simple controls - easy to operate
	Space-saving compact solution
	Hygienic denesting
	Designed for industrial cleaning
	Time saving tray change



Specifications and photos are intended as a guide and can be changed by QUPAQ without notice. We make reservations for misprints and typing errors.